



PREVENTS SOLUTIONS FROM TOPPLING WHEN HIT

# BT8380-FBFK

## SYSTEM X™

### FLOOR BASE FIXING KIT



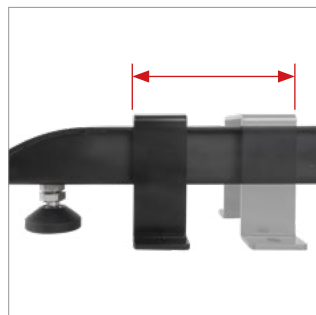
The BT8380-FBFK is a floor fixing kit which clamps around the BT8380-BASE to provide added security to freestanding installs, preventing the install toppling should it be exposed to excessive force. The kit is made from 4mm thick steel to allow it to cope with securing larger scale installations, and can be placed anywhere along the flat sections of the base for extra stability. The bracket of the FBFK is placed over the base and easily bolted into the floor (fixings are not provided) and 2 brackets supplied per base used.

SPECIFICATION	
Steel Thickness	4mm
Width	168mm
Height	114mm
Fixing Kits supplied (per pack)	2 per base
Colour	Black

- FEATURES**
- Provides added security to freestanding installs, preventing them from toppling should they be exposed to excessive force
  - Clamps over the base and is easily bolted into the floor
  - Can be placed anywhere along the flat section of the base for extra stability
  - 4mm thick steel construction allows larger scale installations
  - For use with freestanding System X installs only



Bracket bolts down into floors to provide extra stability and added security (fixings are not provided)



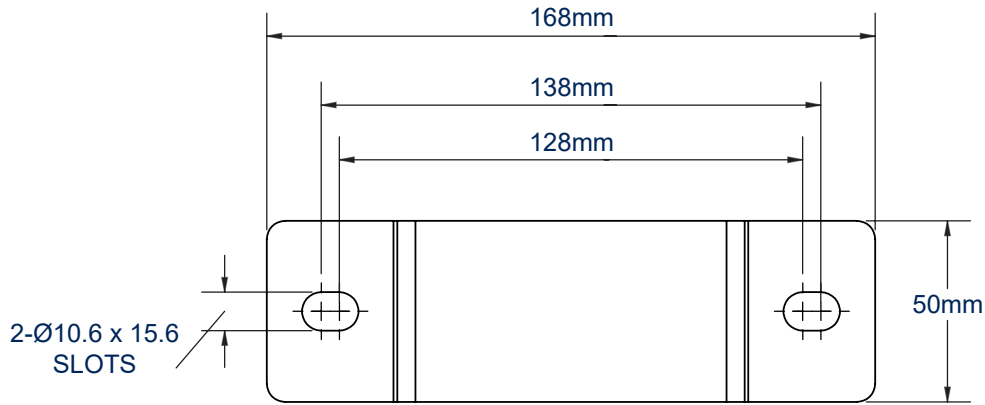
Can be positioned anywhere on the flat sections of the base



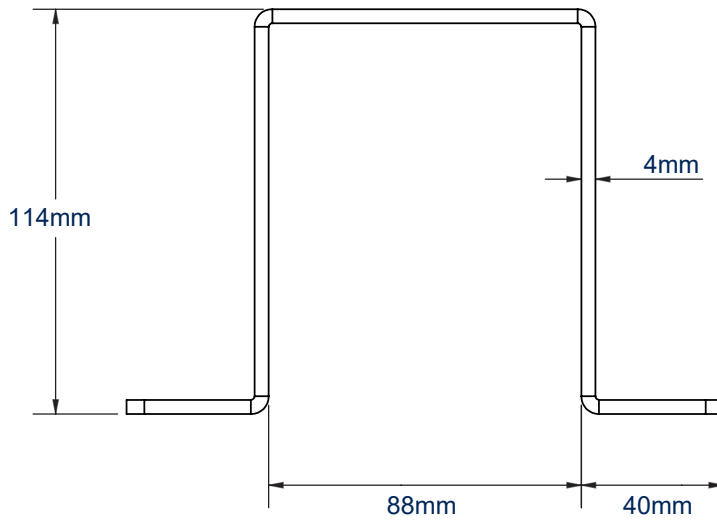
Clamps over BT8380-BASE to prevent large scale installs toppling from excessive force



Used with freestanding installs only



TOP VIEW



SIDE VIEW

PACKING INFORMATION

ORIGINAL DESIGNS BY B-TECH AV MOUNTS - REGISTERED DESIGNS & PATENTS APPLY

COLOUR:	ORDER REF:	EAN CODE:	MASTER CARTON QTY:	INNER CARTON QTY:	MASTER CARTON WEIGHT:	MASTER CARTON CUBE:
Black	BT8380-FBFK/B	5019318501067	8	8	21.5kg	0.56cbm

ACCESSORIES AND RELATED PRODUCTS

<p><b>BT8380-BASE</b></p>	<p><b>BT8380-FFB</b></p>	<p><b>BT8380-060/180/240</b></p>	<p><b>BT8390-030/050/070/150/175/200</b></p>
---------------------------	--------------------------	----------------------------------	--

**Floor Base for System X Trolleys and Stands** for freestanding or mobile solutions

**Fixed Floor Base for System X™** provides a close-to-the-wall, bolt down solution

**Vertical Support Column** provides a platform for freestanding, mobile or bolt down solutions

**Mounting Rail** fits to columns, walls or poles using System X components

© 2019 B-Tech Av Mounts. All rights reserved. The information in this specification is subject to change without notice. B-Tech Av Mounts and B-Tech logo are registered trademarks of B-Tech International Design & Manufacturing Ltd. B-Tech Av Mounts is a registered trademark of B-Tech Av Mounts. All other trademarks are the property of their respective owners. Any reproduction or transmission or replication of any part of this specification is strictly prohibited unless prior written permission has been granted by B-Tech International Design & Manufacturing Ltd. (B-Tech).

SS-V3-BT8380-FBFK-070819